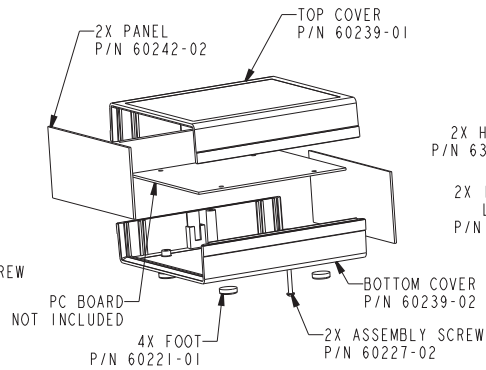
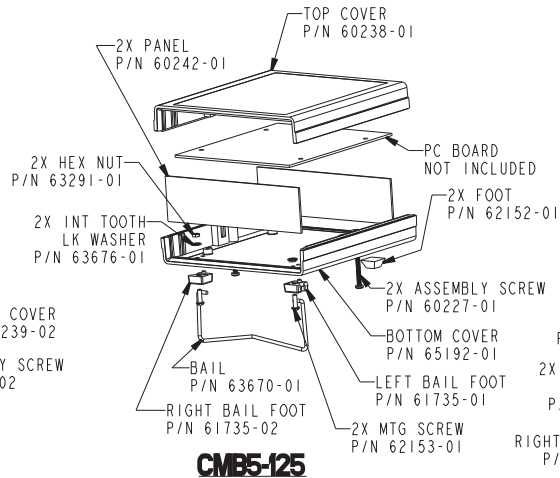


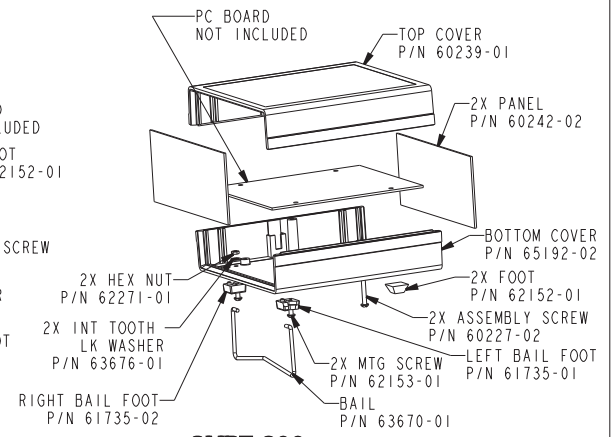
CM5-125



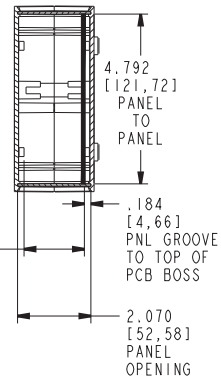
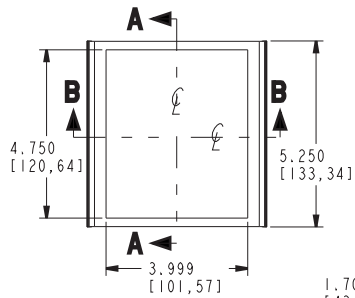
CM5-200



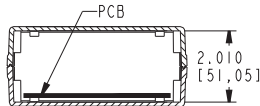
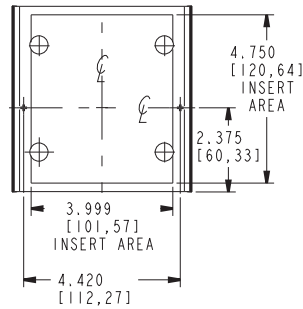
CMB5-125



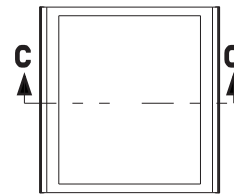
CMB5-200



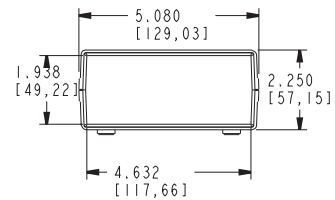
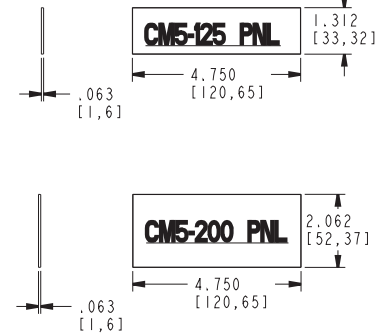
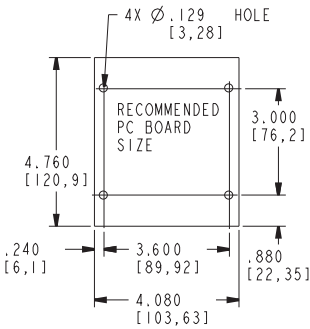
SECTION A-A



**SECTION B-B
CM5-200**



**SECTION C-C
CM5-125**



PACINTEC®
1-610-361-4200
CM5-125 & 200
CMB5-125 & 200

VISIT **PACINTEC®**
ON THE WORLD WIDE WEB
www.pactecenclosures.com

COLOR / MATERIAL CODE		
COLOR	94HB	94AV0
BLACK	000	028
P. C. BONE	039	060

DRAWING NUMBER	REV
60256	C